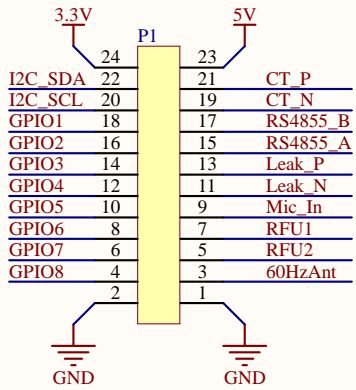
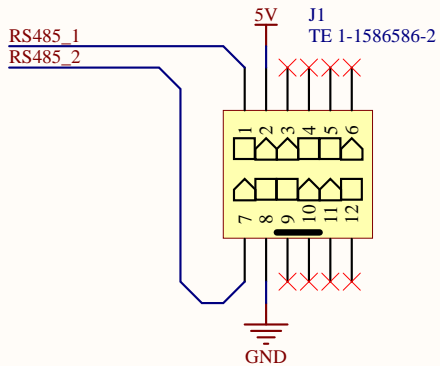


To Controller

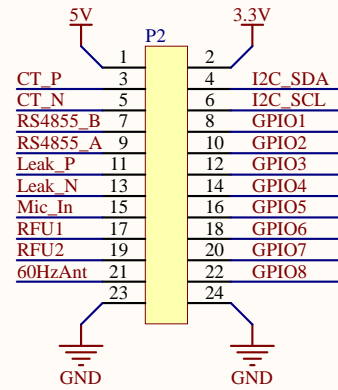


0.1" Pitch, 2 Row, 24 Pos, Male Right-Angle

To CTA2045



To Chained Accessory

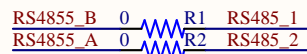


0.1" Pitch, 2 Row, 24 Pos, Female, Right-Angle

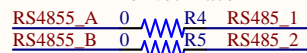
Optional Termination Resistor



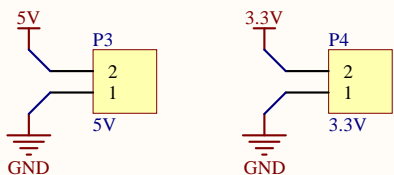
Configuration 1



Configuration 2  
Do Not Place

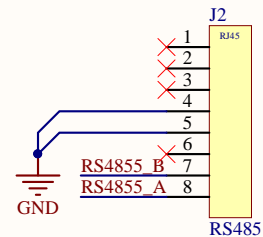


Optional Power Port



- H1 1/8in Hole by 1/4in Ring Fastener
- H2 1/8in Hole by 1/4in Ring Fastener
- H3 1/8in Hole by 1/4in Ring Fastener
- H4 1/8in Hole by 1/4in Ring Fastener

Optional RS485 Plug



|                                   |                                |                      |
|-----------------------------------|--------------------------------|----------------------|
| Title<br><b>CTA2045 Adapter</b>   |                                |                      |
| Size<br>A                         | Number                         | Revision<br><b>1</b> |
| Date:<br>8/21/2017                | Sheet of                       |                      |
| File:<br>C:\Users\...\Main.SchDoc | Drawn By: <b>Craig Hesling</b> |                      |

